



# **Owner's Manual**

## ***31 Walk***



Copyright 1996-99 Pro-Line Boats Inc., P.O. box 1348,  
Crystal River, FL 34423. All rights reserved. Rev. 07-04-2004  
Specifications subject to change without notice. Actual boats may vary from drawings.

# Table of Contents

## I. Introduction

- Dealer / Customer responsibilities
- Registration
- Insurance

## II. Safety

- Regulations
- Equipment
- Passenger safety
- Rules of the road
- Hazardous conditions
- Alcohol
- Carbon monoxide
- Fire
- Flooding

## III. Controls

- Ignition
- Choke
- Lanyard Stop Switch
- Shift / Throttle / Trim
- Steering
- Instruments
- Switches

## IV. Systems

- Fresh Water
- Sea Water
- Head / Waste
- Air Conditioning
- Fuel / Oil
- Electrical (A/C, D/C, generator)
- After Market Accessories

## V. Trailering and Launching

- Capacity
- Hitch
- Load Distribution
- Launching and Retrieving

## VI. Operation and Performance

- Loading
- Fueling
- Starting
- Trim / Tilt
- Prop

## VII. Service and Care

- Fiberglass / Gel coat
- Marine growth

- Windows and Hatches
- Stainless Steel / Aluminum
- Canvas
- Upholstery
- Corrosion Protection
- Winterization and Storage
- VIII. Appendix
  - Boat Identification Information
  - Trouble Shooting Chart
  - Nautical Terms
  - Specifications
  - Wiring

# Introduction

Congratulations! You are now the proud owner of a new Pro-Line 31 Walk, sport fishing boat.

Welcome into the proud family of satisfied Pro-Line owners. Every expedition lets you enjoy the outstanding features designed into every boat we construct. Your new Pro-Line is more than just a boat, it's a lifestyle.

Pro-Line's commitment to the needs and wishes of the professional sport fisherman has resulted in a superior fishing craft, providing you with comfort, performance, security and fishability. All of our boats comply with U.S. Coast Guard (USCG) safety regulations, and are designed and crafted in accordance with the National Marine Manufacturers Association (NMMA), American Boat and Yacht Council (ABYC) standards, and the optional Common European directive (CE).

This manual (to be kept onboard your Pro-Line) is designed to provide you with information necessary for safe, efficient operation and care of your new Pro-Line. Take the time now to carefully review the information in your owner's pack and this manual to maximize your enjoyment and safety as well as familiarize yourself with your new boat.

## Dealer's Duties

Your dealer's responsibilities include but are not limited to:

- \* Pre-delivery verification of proper rigging and operation.
- \* Providing adequate orientation in general operation of your Pro-Line including explanation of specific safety considerations regarding the use of systems and components.
- \* An explanation of owner's packet literature and warranty registration cards for all separately warranted equipment and accessories.
- \* Explaining local and out of area service procedures during and after warranty periods.

## Customer Responsibilities

- \* Be proficient in boat handling and safety. **THIS MANUAL IS NOT INTENDED TO PROVIDE COMPLETE TRAINING ON ALL ASPECTS OF GENERAL BOAT OPERATION.**
- \* Read and understand the limited warranty.
- \* Read all literature and instructions as well as use and maintain all equipment as directed.
- \* Examine the boat at time of delivery to insure that all systems are functioning properly.
- \* Learn about and operate boat in accordance with local, state, and federal laws, regulations, and **registration** requirements.
- \* The owner is legally responsible for all liabilities of operation. Secure **insurance protection.**

# Safety

Your Pro-Line boat has been constructed with safety in mind. However, the ultimate safety of you and your passengers is in your hands. Plan your trips carefully. Insure ample fuel supply and a reserve. Tell someone where you are going and when you expect to return. Keep current charts onboard. Read USCG boating safety circulars and follow the safety guidelines.

## Regulations

The USCG is the authority of all waterways. State boating regulations are enforced by local authorities. You are subject to marine traffic laws and "Rules of the Road" for both federal and state waterways. Therefore, you must submit to boarding if requested by proper authority. There are many publications available from the Coast Guard concerning regulations. Call the Boating Safety Hot Line at (800)-368-5647 for additional information.

## Equipment

USCG regulations require the following equipment while operating your boat:

- \* Fire extinguisher
- \* Personal Flotation Device (PFD) for each occupant
- \* One throwable PFD
- \* Sound signal device
- \* Navigational lights if operated at night
- \* Sight signal (flare - night, orange flag - day) when in coastal waters or great lakes.
- \* Anchor and sufficient line

In addition, here is a list of suggested equipment you should have aboard your Pro-Line:

- \* First aid kit and blankets
- \* Mooring lines and fenders
- \* Combination oar / boat hook
- \* Spare prop and hardware
- \* Spare fuses and bulbs
- \* Local charts and compass
- \* 2 way radio
- \* Floating key chain and spare keys
- \* Emergency food and water
- \* Sea anchor with line
- \* Bailing device
- \* Tool kit and lubricant
- \* Spare fasteners, hose clamps, and plugs
- \* Binoculars
- \* Water proof flashlight
- \* EPIRB (emergency beacon)
- \* Navigation device
- \* Water proof matches or lighter.

## Passenger Safety

You are responsible for the safety and conduct of your passengers. Make sure that:

- \* You instruct passengers on proper use and location of PFD's. Children and non-swimmers should wear one at all times.
- \* Each passenger is in a safe location when underway and knows to keep the boat balanced.
- \* At least one other person knows how to operate the boat in case of emergency.
- \* They are aware of prop dangers and the possibility of sudden maneuvers and jolts.
- \* The engine is turned off and the key is removed when swimmers are near the prop or using the dive platform.

- \* All passengers keep away from lines under stress in case they break and recoil.

## **Rules of the Road**

Know and use the rules of the road. The information here is only a brief overview. Contact the USCG for detailed information.

Audible warning signals:

- \* One short horn blast: starboard course change.
- \* Two short horn blasts: port course change.
- \* Three short horn blasts: astern operation.
- \* Five horn blasts: doubt about previous signal, or danger.
- \* One Five second horn blast every minute: for fog operation

When overtaking, give-way vessel announces intention with horn blast(s) and waits for a response, then completes maneuver.

When approaching head-on, both boats give way after giving appropriate horn blast(s) (preferably to starboard).

When crossing, a vessel converging from starboard has the right-of-way. Port vessel gives way (both acknowledge with one short horn blast).

Know and observe navigational buoys and markers.

Give way to craft under sail.

## **Hazardous Conditions**

Keep track of weather developments and avoid hazardous conditions if possible. When forced to operate your Pro-Line in storm conditions:

- \* Wear PFD's
- \* Stow loose gear and equipment.
- \* Place heavy items as low as possible.
- \* Head for the easiest to reach safe location.
- \* Reduce speed. You are moving too fast if the boat leaves the water.
- \* If power fails, rig a sea anchor off the bow (an empty ice chest in a pinch).
- \* Stay with the boat if it capsizes unless it is burning out of control.

## **Alcohol**

Don't drink and drive. If you have been drinking, have a designated driver who has not been drinking. Never operate a boat under the influence of drugs or alcohol.

## **Carbon Monoxide**

Be aware of and avoid conditions that can cause carbon monoxide poisoning (see USCG boating safety circular 77). Sources of carbon monoxide include any gas or diesel engine, any flame such as a charcoal grill, stove, or heater. Carbon monoxide can accumulate to deadly levels in enclosed spaces. Always ventilate occupied areas of vessel with fresh clean air.

## **Fire**

Be aware of and avoid conditions that can lead to accidental fire. Guard against and watch for fuel spills and leaks. Inspect wiring for damage or exposure that could lead to short circuits or arcing. Make sure those who smoke are careful to avoid accidental fire ignition. Don't allow smoking while fueling. Keep a USCG approved fire extinguisher on board at all times. Inspect the fire extinguisher regularly and learn how to properly use it (instruct others as well). Use water to fight a fire as a last resort after making arrangements to abandon the boat if a fire should get out of control. Keep the following

in mind if a fire is burning out of control and you must abandon the boat:

- \* Abandon the boat into the wind to minimize burn risk from floating fuel.
- \* Wear a PFD unless you must swim under burning fuel.
- \* If swimming under burning fuel, throw a PFD outside of the burning area and swim under the burning fuel to it.

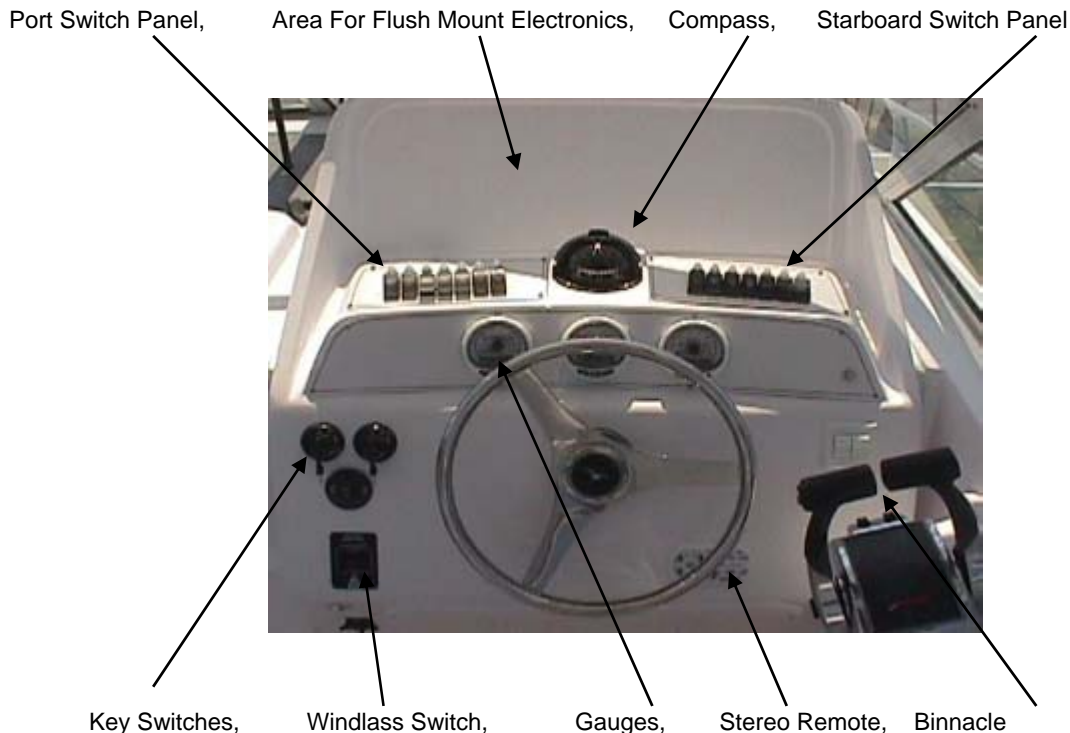
## Flooding

Be aware of and avoid conditions that can cause your boat to flood with water.

Possible causes of flooding include: damage to hull or thru-hull fitting, waves washing into the boat, water entering cockpit due to improper loading, or failure to properly install drain plug. The boat will become flooded and may swamp, capsize, or sink if water enters the boat faster than the bilge pump can expel it.

## Controls

Pro-Line Boats offers many different motor choices. Therefore, the information in this manual is general in regard to engines and controls. Refer to the engine manual in your owner's packet for additional specific information.



**Helm Area**

## Ignition

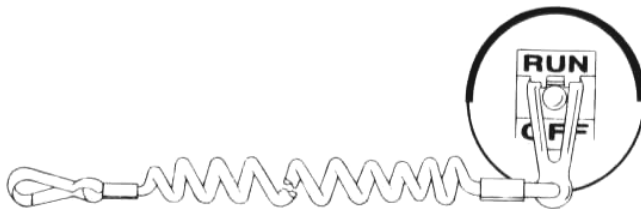
The ignition switch has three positions: “OFF”, “ON”, and “START”. To start the engine: attach safety lanyard and turn the key clockwise against the spring pressure to the start position. Once the engine starts, release clockwise pressure allowing spring tension to return switch to the “ON” position. Some engine models incorporate the choke into the ignition key switch. See the engine manual for specific details.

## Choke

The choke is only used to aid in starting a cold engine. Choke operation varies with manufacturer. Consult your engine manual.

## Lanyard Stop Switch

The safety Lanyard Stop Switch shuts off the engine in case the operator is thrown from the boat. Always attach the lanyard securely to the operator to insure proper functioning.

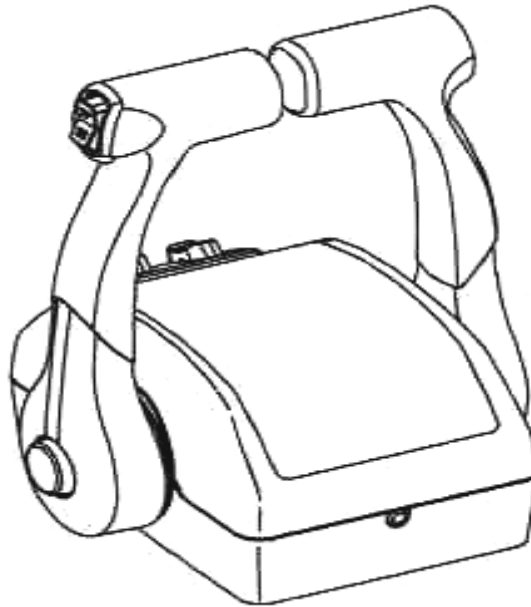


LANYARD STOP SWITCH

## Shift/ Throttle/ Trim

Your Pro-Line can be ordered with different shift / throttle systems. Refer to the owner's packet to find the manual pertaining to your particular installation. Separate shift and throttle controls are available for each outboard motor. The throttle lever has three range positions: “Forward”, “Neutral”, and “Reverse”. The shift function occurs in the first portion of the lever travel. After the transmission is shifted into gear, further movement of the lever advances the throttle. Push the throttle lever ahead to move forward and pull it back for reverse. Centralize the lever to the detent for neutral. The throttle lever is equipped with a neutral safety switch to prevent the motor from starting in gear. Practice shifting a few times, without the engine running, to develop a feel for the range and friction of the system. The initial short movement of the lever to engage the transmission should be made firmly to avoid causing gear clash. **CAUTION: Use care in shifting to avoid advancing the throttle more than intended.** Practice in a safe area away from obstacles until familiar with the feel of the throttle. The throttle can be operated independent of the transmission for starting. If attempting to start an engine this way, keep a hand on the throttle to pull it back as the engine clears to prevent over revving. The shift levers can be operated independently for precise maneuvering (do so at slow speed only). Refer to the engine / drive manuals in your owner's packet for specific information.





## **Steering**

Your Pro-Line is equipped with a self-contained hydraulic steering system. When the steering wheel is turned, the helm pump pumps fluid to the steering cylinder causing it to extend or retract. Periodically check the fluid level and fill if necessary. Beware of adding too much fluid, especially if the ambient temperature is cold because subsequent expansion could cause leaking or damage to your system (refer to manual in packet). Every 24 hours of operation check all nuts, caps, and hose fittings for tightness. Make sure the hoses are not chafing, or kinking on sharp corners. Also, check that hose ends are not damaged or distorted. The fluid should be changed annually under normal conditions and every six months during times of heavy usage. If your steering does not operate properly, first check for: drive entanglements, fluid level, hoses / fittings for leaks, and / or air in the system.

## **Instruments**

Your Pro-Line's instrumentation will vary from model to model and engine to engine. Therefore, the following descriptions are general. Refer to your engine manual for specifics.

### **Fuel Gauge**

Differences in temperature, humidity, speed, and trim can affect the actual accuracy of this gauge in service. It is important to verify the fuel flow in gal./hr. for your boat and make note of your gauge position with respect to time for different RPM settings. No gauge can give 100% accuracy. If you notice unusually high or low fuel consumption, investigate further to see if the engine is using more fuel than normal or the gauge has failed.

## **Temperature**

The temperature gauge indicates the internal temperature of your engine. Your engine is equipped with a thermostat to quickly bring the engine up to its optimum operating temperature range. Outboard engines are also equipped with an audio alarm system indicating an overheat condition. Many times over heating may occur due to a blockage of the water intakes caused by aquatic vegetation or mud. Check the water intakes for blockage and see the engine manual for specific details.

## **Volt**

The volt-meter indicates battery voltage. A low reading indicates too heavy of a load or a malfunction in the charging system. Too high of a voltage indicates a fault in the charging circuitry and continued operation will damage the battery. Refer to engine manual for specifications.

## **Tachometer**

The tachometer indicates the revolutions per minute (RPM) of your engine. Do not operate the engine beyond the limits stated in your engine manual. Abnormally low tachometer readings (for a given throttle setting) indicates loss of power, or a prop entangled with weeds or trash. Check the prop first. A reading higher than normal may indicate a ventilating or cavitating prop as well as possible prop/drive damage.

## **Speedometer**

The speedometer indicates the speed of your boat in Miles Per Hour (MPH) and Kilometers Per Hour (Km/H). The gauge operates by sensing water impact pressure from the pitot tube which is mounted on the transom (or integrated into the lower drive unit of the motor) depending upon the motor manufacture. Suspect a blocked pickup if the gauge fails to give a reading.

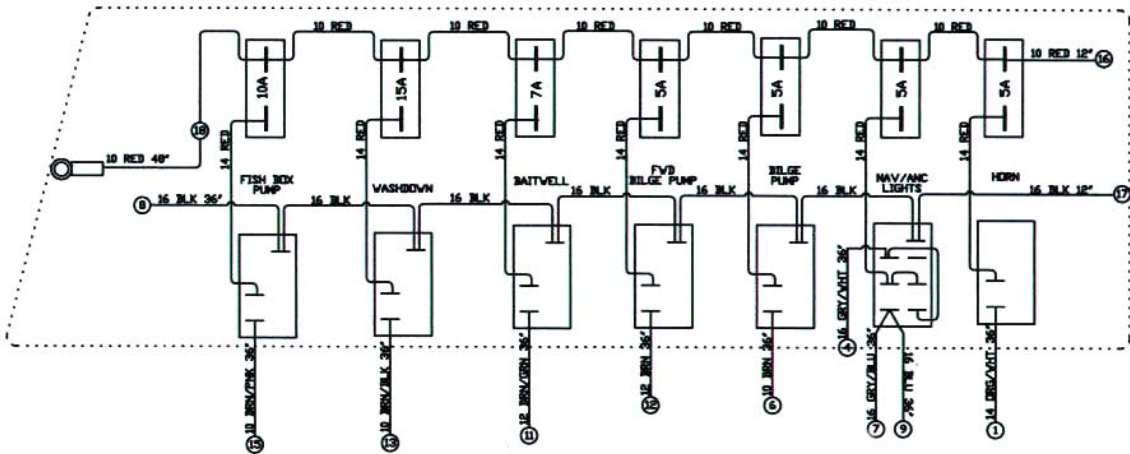
## **Trim**

The trim gauge indicates the in (down) and out (up) position of the drive unit in relation to the hull. (see Trim / Tilt on p.26)

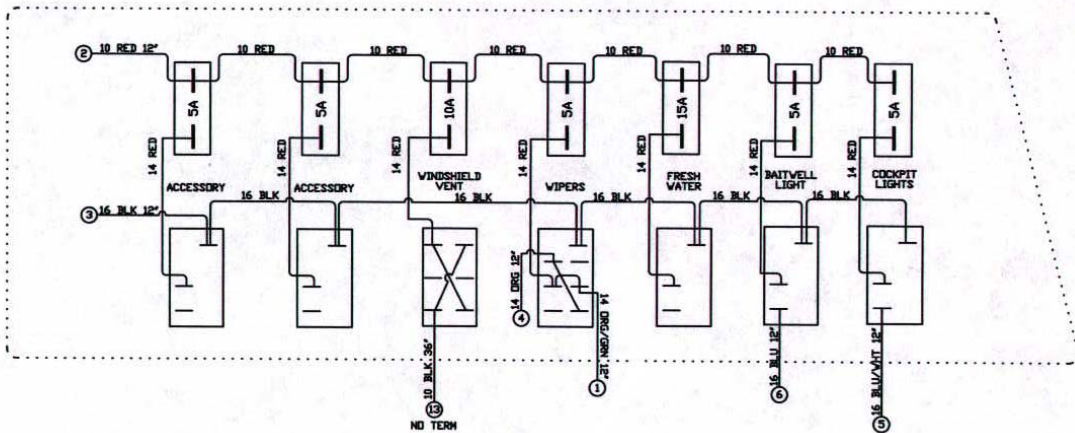
## **Options**

Optional instrumentation for your Pro-Line includes: fish locator / depth finder, VHF radio, GPS navigation aids, etc.. Refer to the manuals supplied.

# Switches



Starboard Switch Panel (wiring from back side)



Portside switch Panel (wiring from back side)

## Acc.

This switch can be used for additional dealer installed accessories.

## Windshield Wipers

For operation in rain or adverse conditions, optional windshield wipers enhance visibility from the helm and therefore improve safety.

## Windshield Vent

Opens and closes the automatic windshield vent.

## Lights

Your Pro-Line is equipped with a variety of different lighting systems. The navigation and anchor lights are required to be used for operation at night or under low visibility conditions to indicate your position to other boaters. Visually verify operation of your Nav/Anc lights and insure the lights are free from obstructions. The dash instrument lights are turned on by the Nav/Anc light switch as well. Lights are also provided for the

bilge, cockpit, baitwell, cabin, head, helm-courtesy, and optional spreader lights. Spreader lights are operated by a switch located on the helm-courtesy light on the overhead electronics box. An optional remote spot light is also available and has a separate switch and control.

### **Fresh Water**

The fresh water switch activates the fresh water pump system (see Fresh Water Systems section). The switch should be left off when not in use.

### **Baitwell and Washdown**

These switches energize the sea-water pumps (see Sea Water Systems section). Leave these switches off when not in use.

### **Bilge and Forward Bilge Pump**

Your *31 Walk* is equipped with two automatic bilge pumps with manual switch overrides. The main pump is located in the bilge at the keel. The forward bilge pump is located under the cabin floor. The automatic float switches are wired directly to the battery terminal through a breaker or inline fuse. Keep the bilge area clean and free from debris that could clog ports or inhibit float movement. The helm switch overrides normal automatic operation. Circuit breakers for the pumps are located at the helm next to the switch. Keep the battery that provides power to the bilge pumps charged. If the battery is discharged and flooding occurs, the boat could swamp causing damage and possible loss of life or property.

### **Fish Box Pump**

This switch operates the pump to drain the fish boxes and should be left off when not in use.

### **Horn**

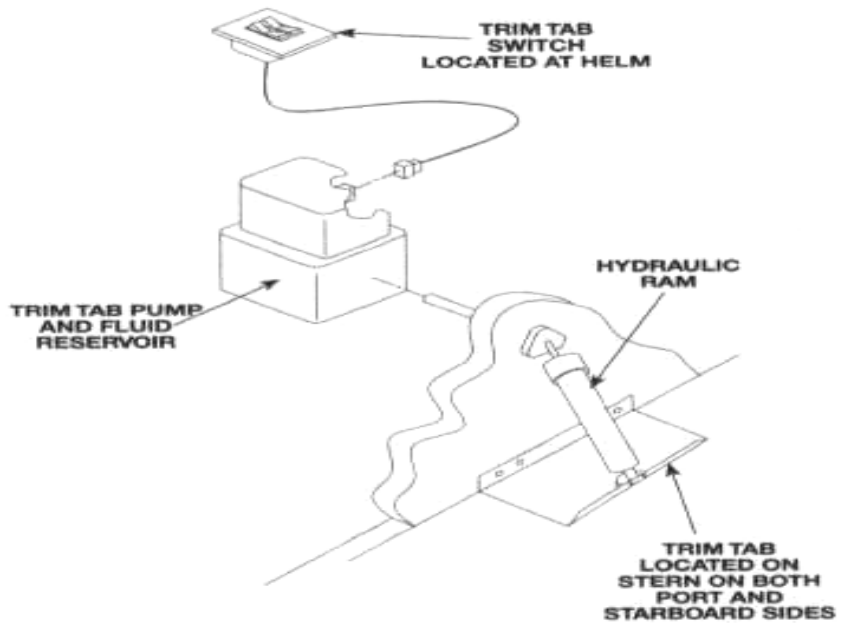
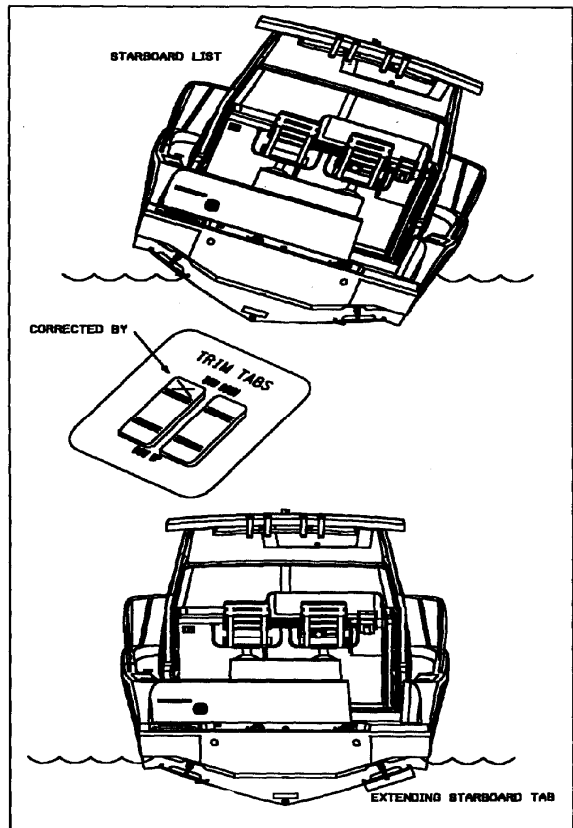
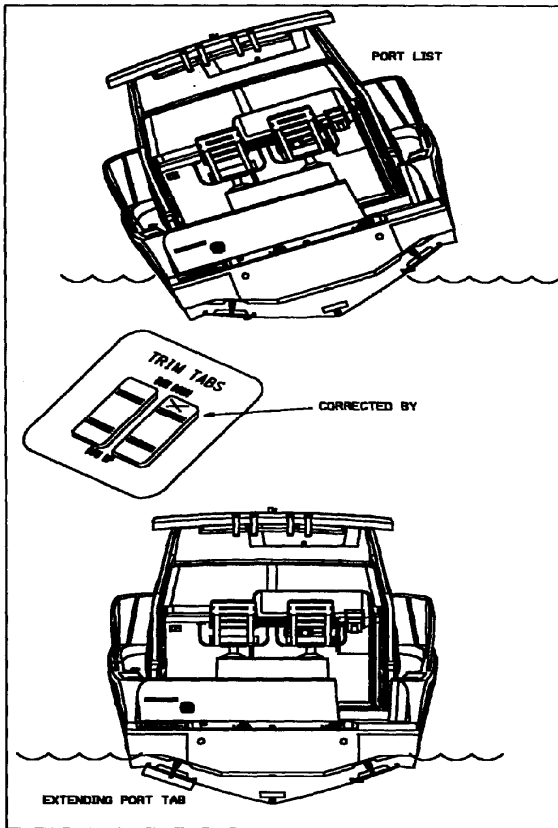
The horn is used to signal, warn, or alert other boats or people on shore. Avoid any horn use without appropriate purpose.

### **Trim Tabs**

The trim-tabs operate independently up or down to correct for differing conditions of wind or load. Refer to the owner's packet for specific information. The trim tab pump is located on the port stringer just aft of the transom panel. The pump is accessible through the port side transom hatch and should be maintained in accordance with the manufacturer's instructions.

Before the boat is underway, depress the bottom half of both switches until the tabs are fully elevated (bow up position). While underway and in open water clear of other boaters, depress the top half of the switches in half-second increments to achieve the desired degree of trim. To correct a starboard list, depress the top half of the port switch in small increments until the list is corrected. To avoid over trim, allow a few seconds between tab adjustments to allow the boat to respond (if you over trim simply give the over trimmed tab an adjustment in the opposite direction). Push the top half of both rocker switches in half-second increments to trim the bow down.

**Warning: trim tabs can cause a dramatic change in the attitude and heading of your boat. Adjust them in small increments when in open water and clear of any obstructions.**



**Windlass**

The optional windlass is operated by a separate switch and is protected by an 80A breaker located below the switch. Refer to the windlass manual for operation and maintenance.

**Blower**

Generator equipped boats have a bilge blower to rid the bilge of explosive fumes. Always operate the blower a minimum of four minutes and check bilge for fumes before starting the engine. Operate the blower whenever engine is running and the boat is stopped (or operating at low speed). At speed, air blows through the bilge keeping fumes under control and blower operation is unnecessary.

**Circuit Breakers**

The wiring on your 31 Walk is protected by circuit breakers and/or fuses. In the event a device stops working, check to see if the circuit breaker is tripped or the fuse is blown. The main breaker is located on the aft port side stringer and is accessible from the bilge hatch. Additional breakers / fuses for the bilge pump, trim tabs, etc. are located next to the main breaker and on the dash panel. A tripped breaker will protrude from its set position indicating that the circuit has been overloaded. Turn off the device(s) on the circuit then reset the breaker by pushing in once. If the breaker does not reset or if it resets and then trips again after the device is turned back on, then a short circuit exists or your device may be damaged, overloaded, or faulty. Correct the problem and then reset the breaker. If the breaker continues to trip and you are certain the device, switch, and wiring are in good repair; then either the breaker is too small for the load, or is faulty. Reduce the load or replace the breaker.

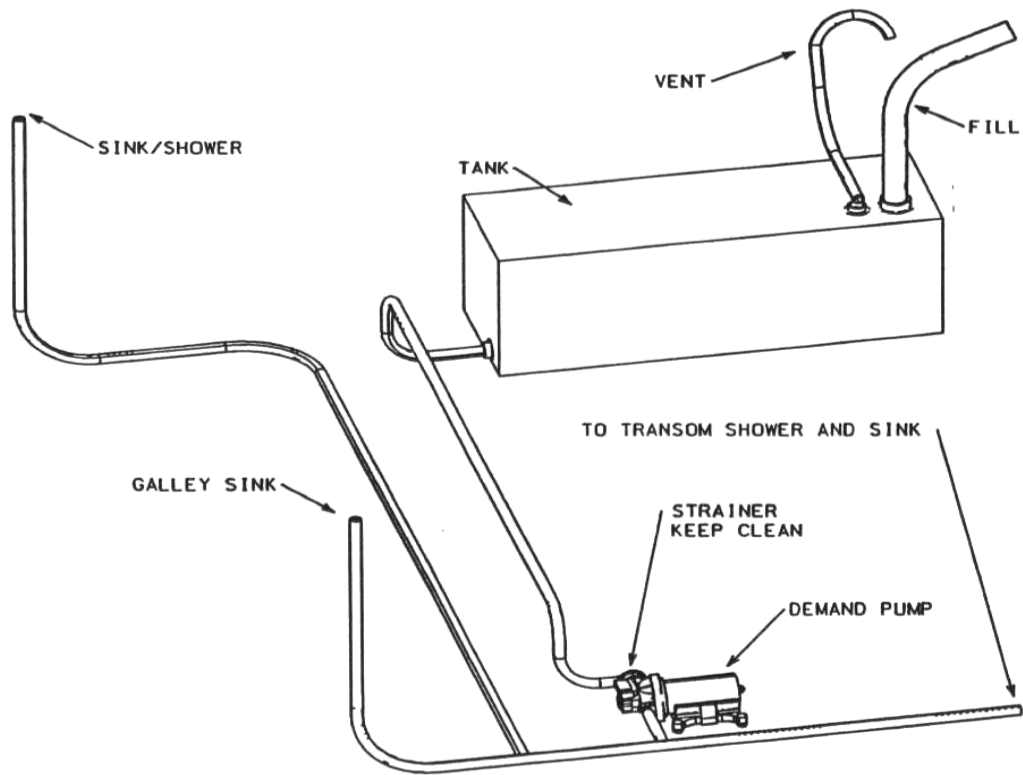


**Bilge D/C Breaker Panel and Fuses**

## **Systems**

### **Fresh Water System**

The fresh water pumps on your Pro-Line supplies water on demand when a drop in water pressure activates the pressure switches. The manual switch located at the helm energizes the pump that feeds the transom sink. The cabin fresh water is activated by the switch on the cabin D/C panel. The switches should be kept off while not in use, or unattended. A dock-side fitting is provided for heavy fresh water usage. The plumbing is not designed for sustained high pressure. Therefore, do not leave the dock side water hooked up while the boat is unattended or flooding may result. The main tank is located under the mid cabin berth. The fill is located on the aft vertical surface of the port side wing. The optional water heater is located under the walkway to the fore deck. It is accessible by removing the ice-box. Before operating the water heater make sure that all air is purged from the system by turning on the hot water faucets one at a time until water flows. Failure to purge the air could result in damage to the heating elements. Top off the fresh water tank for full water capacity after the air is purged. The transom sink and shower are supplied by cold water only.



**Location of Components Will Vary Depending On Mode**

## **Sea Water System**

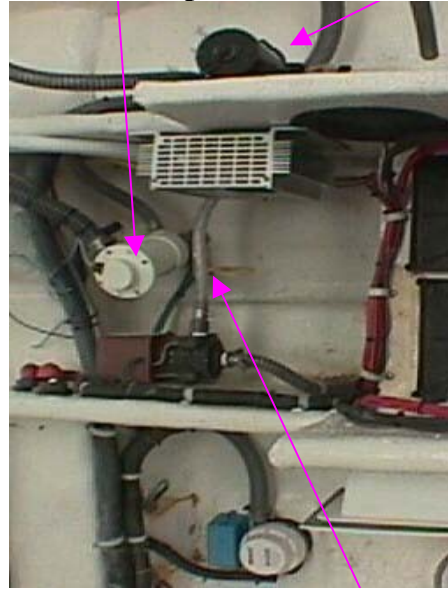
The baitwell switch controls a pump mounted on a seacock in the bilge. Two overflow drains allow circulation to keep bait alive. The washdown pump is mounted on the stringer and is equipped with a pressure switch. Turn the main switches off if the pumps are not going to be used soon. Boats that are equipped with generators and air conditioning have strainers installed, which filters the sea water. These filters must be cleaned as needed to avoid pump damage. Seacocks should be closed when not in use.





**Air Conditioner and Generator  
Strainers and Seacocks**

**Baitwell Pump    Washdown Pump**

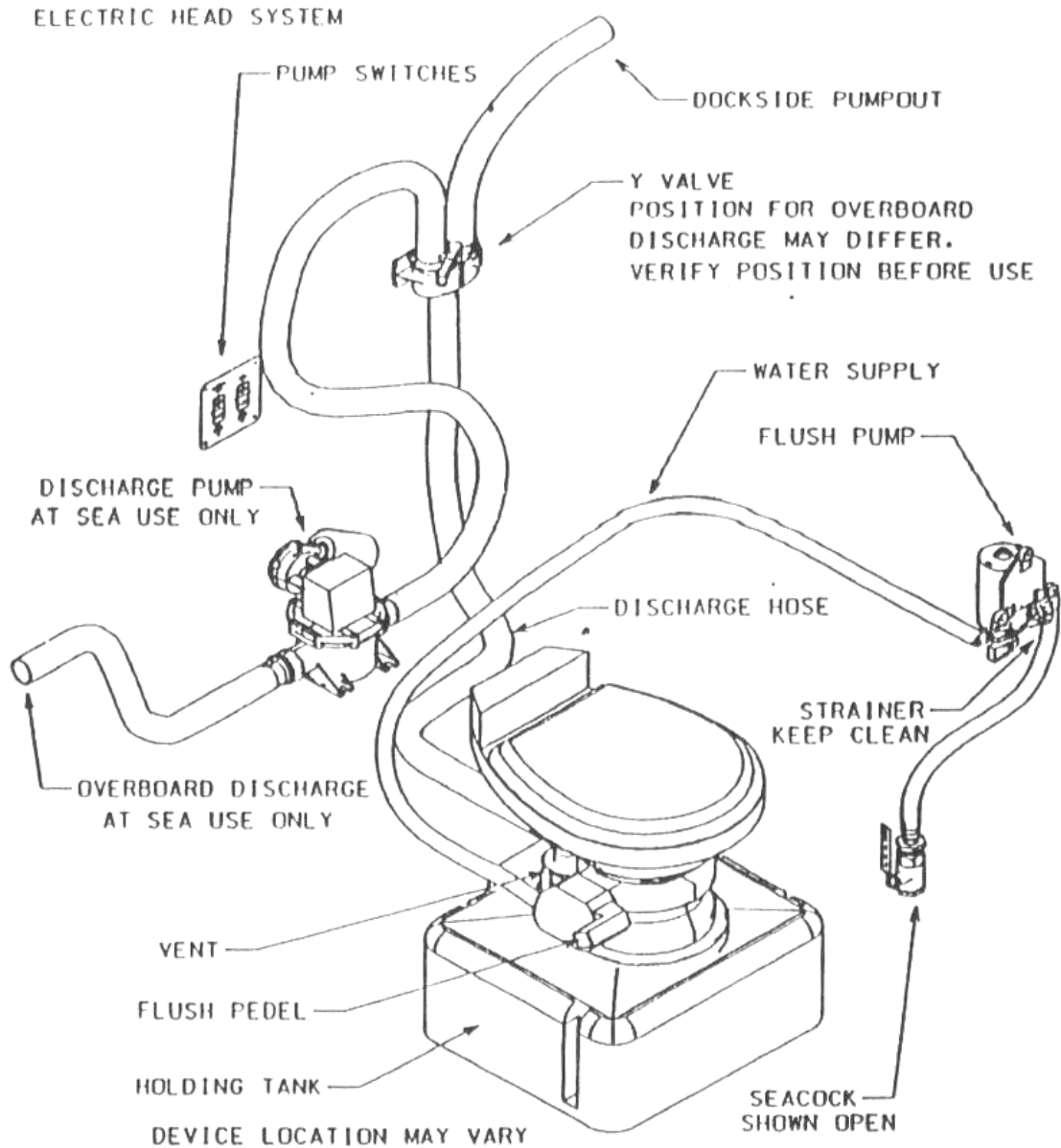


**Baitwell/Washdown Seacock**

### **Sea Water System**

### **Head / Waste System**

If your Pro-Line is equipped with a portable or an electric head, refer to the manual supplied in your owner's packet. The electric head utilizes clean-out fittings for dock side operation. A sea valve and macerator / waste pump is provided for offshore operation. A sea-water pump with an intake seacock is used for flushing. A valve is used to divert waste overboard for at sea use. The diversion valve, seacock, and pumps are all accessible via a hatch on the wall just aft of the head door in the mid cabin. The valve is shipped restrained in the closed position as per USCG regulations. Familiarize yourself with laws regarding overboard discharge of waste before removing the restraint. The switch labeled macerator is used to discharge waste while at sea. Turn the macerator off and secure the valve in the closed position when the tank is empty. A switch on the D/C panel energizes the sea-water pump.



**Head / Waste System**

## **Air Conditioning System**

The optional air conditioner uses sea-water for cooling. The seacock is located in the aft bilge and a strainer is located between the seacock and the cooling (sea water) pump. Do

not operate the unit if cooling water is not flowing or the pump will be damaged. If the unit fails to cool, inspect the intake and strainer for blockage. Make sure the seacock is open when in use and closed when not in use. The sea-water cooling system may develop an air lock at high speed or if the boat is removed from the water. An air lock will cause cooling water to fail to flow through the system. Open the strainer to purge air from the system and eliminate the air lock. This should be done each time the boat is put in the water.



### **Air Conditioner**

### **Fuel / Oil System**

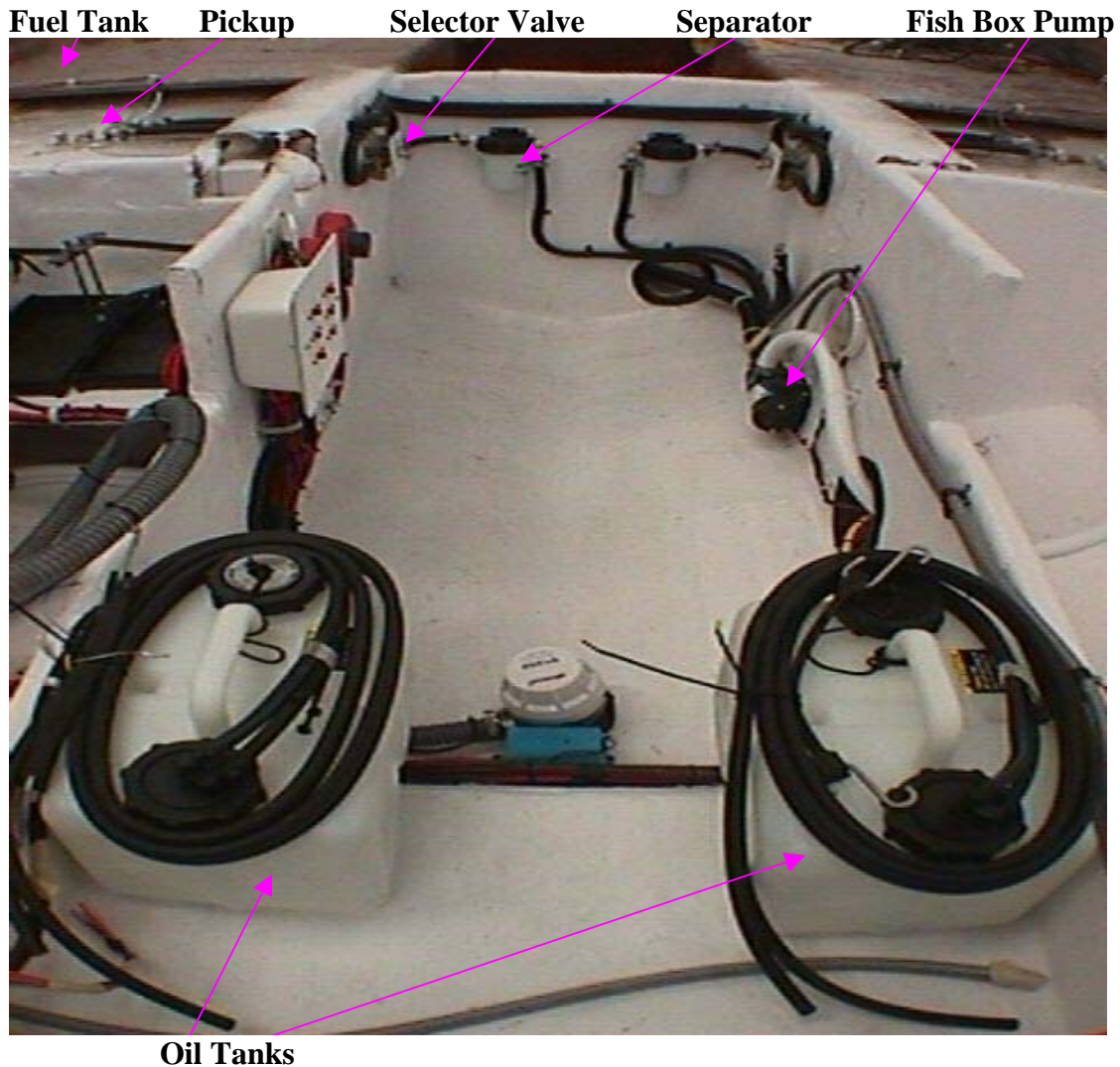
The fuel tanks on your Pro-Line are made of aluminum with internal baffling to minimize sloshing. The tanks are vented overboard and the vents should be inspected for obstructions regularly. Deck plate access ports are placed over the hose connections and the sending units. Inspect the hose connections on a regular basis. There may be a leak somewhere in the fuel system if you notice a fuel odor or see fuel in the bilge. Correct any fuel leaks before operating the vessel.

Two valves in the bilge allow either engine to draw fuel from either tank, or to be shut off. The normal position is port engine to port tank and starboard engine to starboard tank. The selector valves may be used to allow one engine to draw from both tanks should one motor fail, or for both motors to draw from one tank if one tank should become empty or malfunction. If one tank is full and the other is empty or partially full, the valves can be used to allow fuel to be drawn from the fullest tank. Return the valves to normal position when the tanks are balanced. The valves may also be used to shut off the fuel in case of a leak or to service the fuel system.

Fuel filter / water separators should be renewed every season at a minimum. Fuel tanks that are not kept full accumulate water faster due to condensation. Replace the separators as needed when usage is high or if motors begin to run rough. When replacing the filters / separators, coat the rubber seal with a film of grease or oil to help prevent sticking.

Primer bulbs are used to prime the fuel pump in the motor with fuel. Squeeze the bulb a few times until resistance is felt in order to prime. If no resistance develops and the fuel pump will not prime, you may be out of fuel, the primer bulb may be defective, or a leak may have developed allowing air into the system.

Pro-Line boats equipped with oil injected outboard engines have remote oil tanks located in the aft end of the bilge. Insure that the tanks are well stocked with the recommended two stroke oil - refer to your engine manual. It is imperative the oil supply remain clean and uncontaminated by water or dirt. Check to make sure the oil lines are free from leaks, kinks, and chafing. Some motors use a primer bulb to initiate oil flow. Sometimes air may enter the system and require purging. Refer to your engine manual for specific instructions.

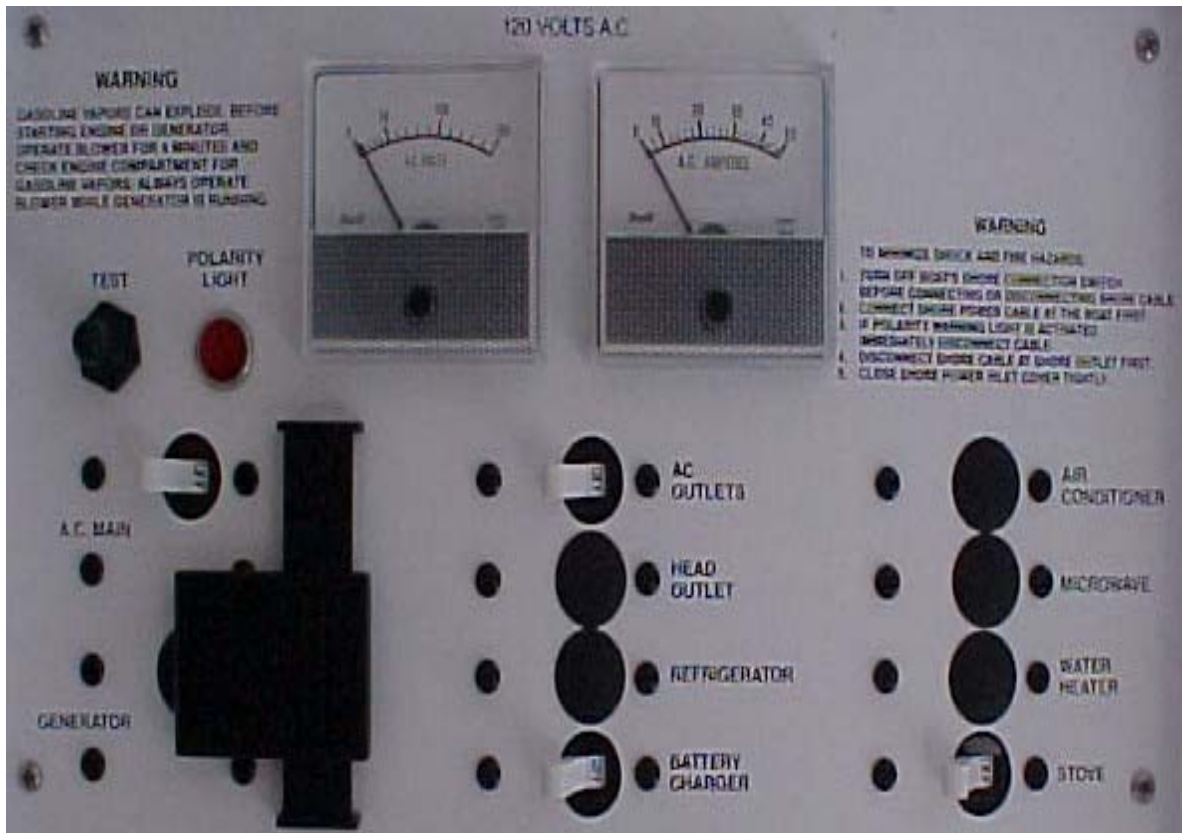


<fig. 11 – Fuel / Oil System>

## Electrical System

### Alternating Current

Shore power or generator is used for the operation of A/C devices like your air conditioner, microwave, battery charger, water heater and 110v outlets for other appliances. Turn off the main A/C breaker switch prior to plugging in to shore power to minimize contact arcing. The panel is located in the cabin. If the reverse polarity light is on, unplug shore power and do not use it until, this potentially dangerous situation is corrected by a qualified technician. A lockout device prevents using shore power and the generator at the same time. The battery charger switch should be on to keep batteries fully charged.



A/C Panel

### Direct Current

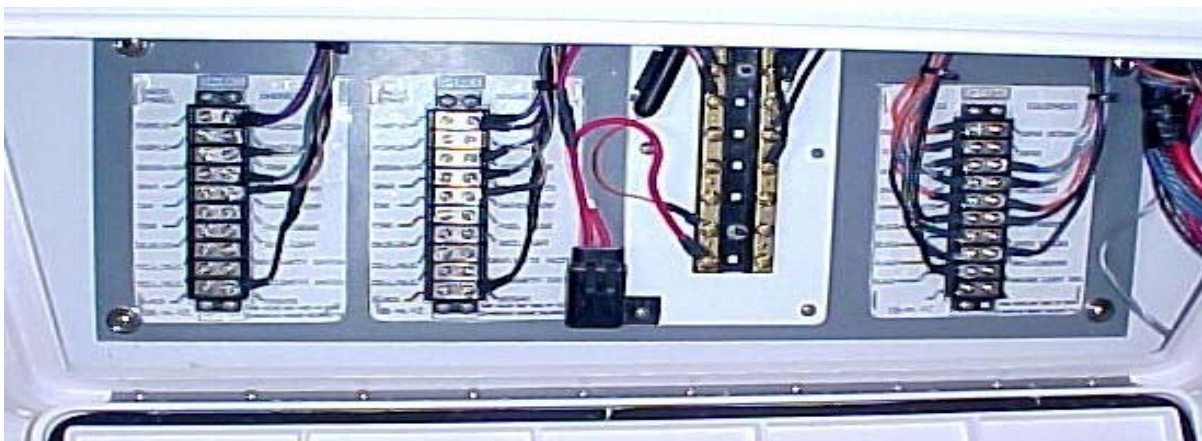
12-volt direct current provides electrical power for all lighting, pumps, electronics, and D/C devices. A main breaker panel is located in the bilge on the stringer. Battery selector switches are for battery isolation, parallel operation, and disconnect. **Caution:** To avoid possible alternator / battery damage on twin-engine installations, insure that the dual battery switches are never left so both engines are connected together (never leave a switch on “both”). The preferred switch position is port engine to port battery, starboard to starboard. Also, models with a generator installed will have an additional battery switch for the generator electrical system.



**Cabin D/C Panel**



**Bilge D/C Panel and Battery Selector Switches**



**Helm D/C Terminal Bus Panel ^**

**D/C Panels**

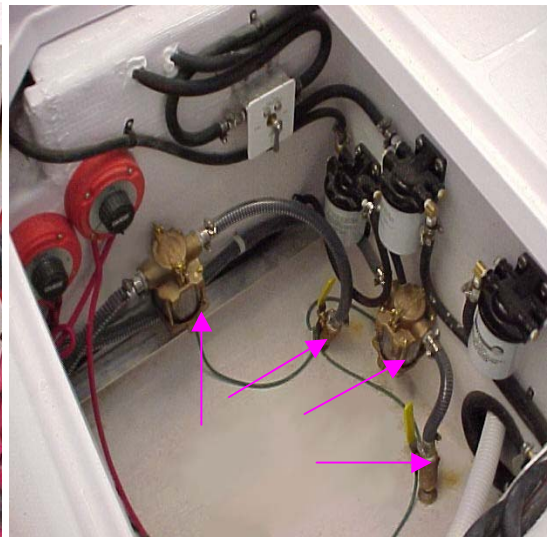
\*\* Note: Installation may vary due to engine options.

## Generator System

Enjoy the use of your A/C appliances while at sea if your Pro-Line is equipped with an optional generator. The generator energizes your A/C electrical system by burning fuel from the fuel tank. Refer to the generator manual for maintenance requirements. Before starting: run the bilge blower for a minimum of four minutes to rid the bilge of any explosive fumes and shut the main breaker switch off in order to minimize the cranking load. Make sure the generator battery switch is set to the "ON" position. If generator fails to start in 20 seconds, close the seacock or else water will be ingested and cause damage. Correct the cause of failure to start. Open the seacock once the generator starts. It is imperative the generator has cooling water while operating. Make sure the seacock is open and that cooling water is flowing from the exhaust port. Do not operate the generator if water is not flowing. Air in the system may prevent water from flowing. Purge air by opening the generator strainer or by removing the hose from the pump inlet until the air is purged. The strainer is located in the bilge and must be kept clean for water to flow properly. Operation while at higher speeds may introduce air into the system thus reducing or eliminating the flow of cooling water. Operation without cooling water could cause costly damage. Always close the seacock when the generator is not in use. **Caution: generators produce carbon monoxide. Read the section on carbon monoxide to help avoid poisoning.** Models equipped with a generator are also equipped with a cabin carbon monoxide detector. Refer to the detector manual for operation and maintenance.



Generator



Seacocks and Strainers

## Generator System



### **After Market Accessories**

Your Pro-Line's electrical system was designed for factory tested and approved dealer installed optional accessories. Pro-Line makes no recommendations to the suitability of accessories that are not listed in the Pro-Line sales literature. Any unapproved modifications or additions to the standard or optional system are done at the owner's risk and may void the warranty. Unapproved modifications could cause risk of fire or failure of the electrical system. A pull wire is installed in the optional top to facilitate installation of electronics. The wire is located on the starboard side, forward corner of the over-head electronics box. Use the factory supplied buss bar for connections. Make sure that, the circuit is protected by fuse or breaker and the wire is properly sized for the load and length of run.

## **Trailer and Launching**

Consult your trailer manufacturer for specific information relating to your particular trailer. Pro-Line does not make or recommend the use of any particular trailer. Make sure the trailer you use is certified. Consult your state authority for state regulations pertaining to trailering a boat. A special permit may be required by your state due to the wide beam of your *31 Walk*.

Use the following towing check-list as a guideline:

- \* Check brakes if equipped.
- \* Check springs and under carriage for cracks, loose parts, and fasteners.
- \* Insure tires are inflated to proper pressure and in good condition.
- \* Check wheel bearings and lug nuts.
- \* Verify light and signal operation.
- \* Make sure boat is tied down from bow and stern eyes.
- \* Stow items likely to blow off or out of the boat.
- \* Carry a spare tire and tools for changing (spare bearing and race set for long trips).
- \* Securely brace O/B motors.
- \* Go slow over bumps.
- \* Check tires and hubs often for excessive heat. Service if required.
- \* Have an assistant watch blind spots and guide with signals when backing.

### **Capacity**

The trailer you choose should be a proper match for your boat with regard to capacity and hull design. Consult your dealer when making your selection. The tow vehicle must have sufficient towing capacity for the combined load of boat, trailer and accessories. Check the certification label on the forward port (left) side of your trailer to insure it has adequate gross vehicle weight rating (GVWR) for the combined boat and trailer.

### **Hitch**

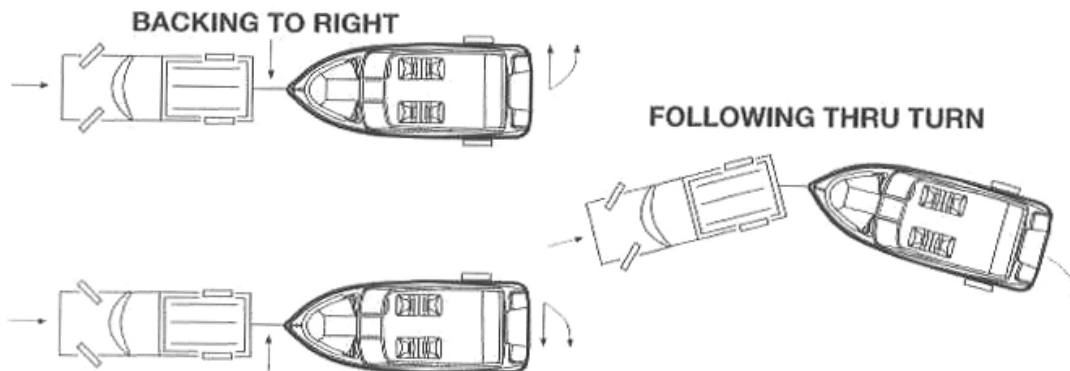
Insure the hitch on the tow vehicle is rated for the gross total weight (GTW) or greater, and the ball size matches the trailer receiver.

## Load Distribution

In general, the tongue weight should be from 5 to 10 % of the GVWR. Make certain the hull is evenly supported along the length and width of the trailer with no load concentrations. The bottom of the transom should be supported and not hanging past the end of the trailer. The bow must be supported as well. Load the boat so it is centered side-to-side, and straight on the supports. Rollers, if used, should only serve to guide the boat into position while in the water and not relied upon to support the weight of the boat. The improper use of rollers voids your warranty and could seriously damage your hull.

## BACKING A TRAILER

Practice backing with a trailer *before* you get into a confined launch site. Get accustomed to using the trailer in an open area. Take someone with you who knows how to back a trailer. Backing a trailer works the opposite of backing a car. If the trailer needs to travel to the right, turn the steering wheel to the left and vice versa (Figure 6-3). Do not turn the wheel too far or oversteer. Turn the wheel gradually until you get the feel of safe backing.



## Launching and Retrieving

### Pre - Launch Check List:

- \* Install drain plug.
- \* Remove covers and tie downs (leave bow winch strap in place).
- \* Place lines and fenders if needed.
- \* Disconnect lights to avoid shorting.
- Verify safety equipment is aboard.

### **Launching:**

- \* If possible use a lookout.
- \* Back down the ramp until wheels are underwater or the stern of the boat just starts to float ( keeping perpendicular to the shore).
- \* Loosen bow strap, board the boat, and lower the motor.
- \* Operate blower a minimum of 4 minutes if equipped with a generator.
- \* Start the motors and check the bilge for leaks.
- \* Remove winch strap from bow eye.
- \* Back boat off trailer.
- \* Dock the boat and park the tow vehicle.

### **Retrieving:**

- \* Back down the ramp so trailer is half submerged.
- \* Carefully line up boat, slowly maneuvering with short bursts of power.
- \* When the keel is centered and boat is just touching the trailer, winch or smoothly apply power until the boat eases to the bow rest.
- \* Secure the bow strap.
- \* Haul the boat out of the water and park out of the way of others.
- \* Remove the drain plug.
- \* Rinse off salt water as soon as fresh water is available.
- \* Stow equipment and canvas as well as affix tie downs and covers.
- \* Hook up trailer lights and verify operation.

## **Operation and Performance**

### **Loading**

When loading your Pro-Line always:

- \* Maintain a balance both port to starboard and bow to stern.
- \* Keep heavy items as low as possible.
- \* When boarding step (never jump) into the boat one at a time.
- \* Pass gear from the dock to someone in the boat. Do not carry gear while boarding.
- \* Never allow passengers to hang feet over the side of the boat.
- \* Do not allow passengers to sit or stand on top of the stern or gunwales.
- \* Do not overload the boat to the point where water enters the cockpit scuppers.

The performance of any boat is contingent upon the amount of load carried. Reduce the load to permit safe operation in rough and adverse conditions. Heavy loads reduce performance and increase fuel consumption. The positioning of load greatly affects the performance of your boat. If weight is placed too far aft, the boat may have difficulty getting on plane and ride rough. If the load is concentrated too far forward, the boat may “bow steer” or veer off to the side when entering a large wave at an angle as well as a reduction in top end speed. There is an optimum load location, which is generally near the center of the boat.

### **Fueling**

Certain precautions must be observed when fueling due to the explosive nature of gasoline

### **Before Fueling:**

- \* Secure the boat to the dock with adequate moorings.
- \* Turn off engine and any equipment having spark producing contacts.
- \* Close cabin, doors, and hatches so fumes do not enter boat.
- \* Disembark all persons not necessary for the fueling operation.
- \* Prohibit all smoking and open flames on board and nearby.
- \* Have a fire extinguisher close by.

### **While Fueling:**

- \* Keep nozzle in contact with fill opening to minimize chance of sparks.
- \* Do not leave unattended.
- \* Do not spill fuel.
- \* Do not over fill. Filling a tank until fuel is vented is dangerous.
- \* Allow room for expansion.

### **After Fueling:**

- \* Close fill opening.
- \* Wipe up any spilled fuel and dispose of rags on shore.
- \* Open cabin door, ventilate boat, and run blower (generator only) for a minimum of four minutes before starting.
- \* Check for fumes in bilge. Continue to ventilate if fumes are present.

## **Starting**

Follow the information in your engine manual if it deviates from the following instructions.

### **Before Starting Engine:**

- \* Ventilate all enclosed spaces.
- \* Run blower four minutes before starting generator.
- \* Visually inspect bilge for fuel and check for vapors.
- \* Visually make sure propellers are clear of obstructions or swimmers.
- \* Make sure engine cooling water intakes are submerged.
- \* Lock helm seat to face straight forward.
- \* Attach safety stop switch lanyard.

### **Starting Engine:**

Start the engine according to the instructions provided in your engine manual.

### **After Starting Engine:**

After your engine starts, make sure to observe a few basic rules to insure the engine is functioning properly:

- \* Verify engine cooling water circulation.
- \* Check the water temperature gauge for the first few minutes to make sure the engine is warming properly and not overheating.

## **Trim / Tilt**

The power trim system allows the operator to raise and lower motors throughout an infinite number of settings between its upper and lower limits. There is a trim setting that will yield maximum speed, stability or maneuverability for every throttle setting. Refer to your engine manual for specific questions on trim / tilt.

For most conditions, the best all-round performance is obtained when the bow of the boat is slightly out of the water and all motors are trimmed to the same degree.

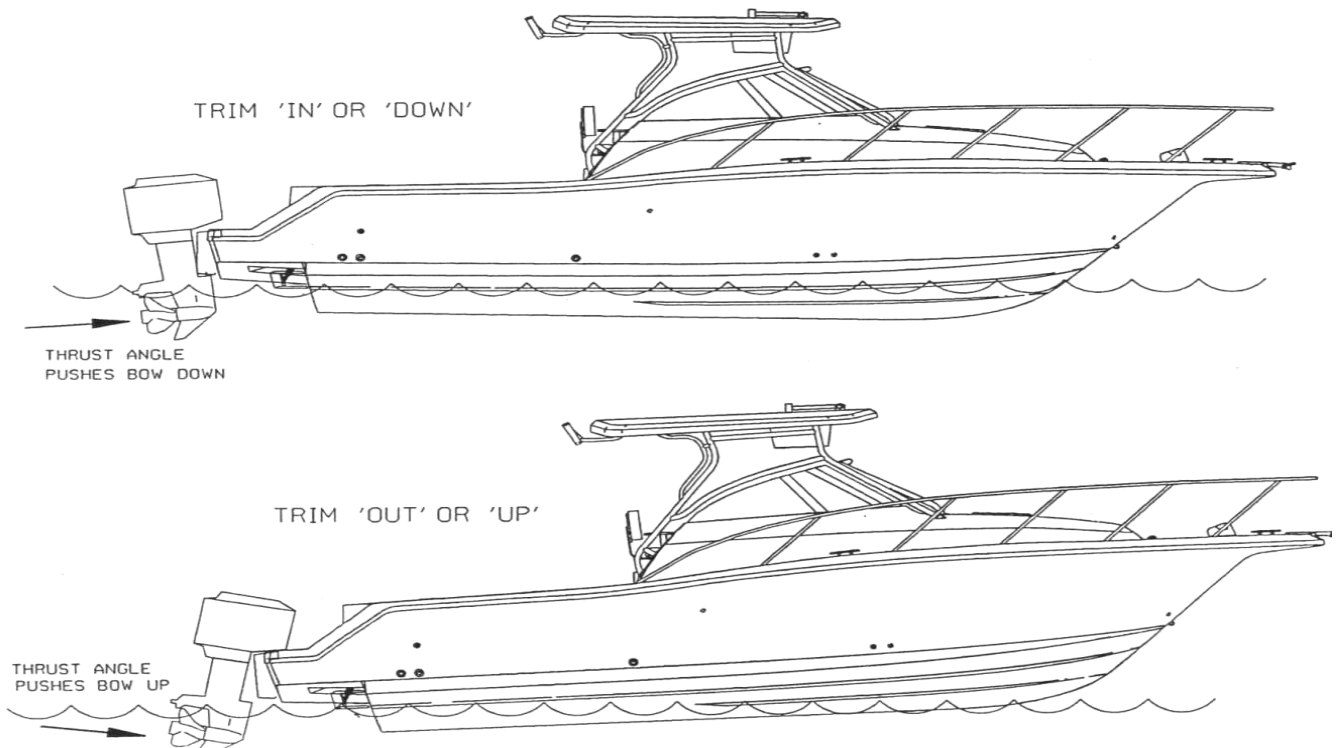
General trim down (or "in") characteristics are:

- \* Starting position for best acceleration to plane.
- \* Lowers bow, providing better stability and ride in rough water.
- \* Reduces boat speed and economy due to increased drag of hull and drive.
- \* More spray over bow.

General trim up (or "out") characteristics are:

- \* Raises the bow of the boat out of the water resulting in less hull in the water.
- \* Greater speed and economy for a given throttle setting.
- \* Greater maneuverability (provided prop does not ventilate during the maneuver).
- \* In excess, the reduced stability can lead to bouncing, porpoising and propeller ventilation.

In addition to providing ideal boat performance, the power-trim / tilt enables the motor or drive unit to be raised (tilted up) for trailering, beaching, and launching. Avoid operating the trim switch if travel of the motor is blocked, or it has reached the limits of travel.

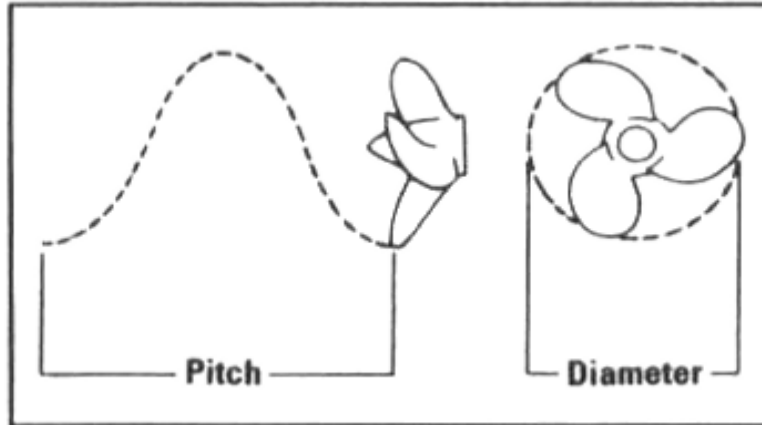


## Prop

If your Pro-Line was ordered with a factory installed engine, it will have a propeller that has been performance tested to provide the best all-round performance for your engine / hull combination at sea level. In some situations, it may be desirable to re-prop your Pro-Line to enhance desired performance needs. For instance:

- \* Decreasing pitch will enhance acceleration and power at high loads.
- \* Increasing pitch will increase speed at light loads.
- \* Decreasing diameter will compensate for loss of power at high altitudes.
- \* Increasing diameter results in higher efficiency at low speeds at the expense of top end speed and acceleration.

Be sure not to over rev the engine when re-propping or engine damage could result. Operating your engine with a damaged prop will decrease performance, increase fuel consumption, and may introduce undesirable handling characteristics. The vibration caused by running a damaged prop could cause costly damage to your lower drive unit.



## Service and Care

To enjoy trouble free use of your Pro-Line follow the recommended procedures and instructions relating to the service and care of your boat. Failure to follow the following maintenance practices will result in shorter life of your equipment and may void your warranty.

Much of the installed equipment on your Pro-Line is separately warranted. Follow the care instructions found in your owner's packet to keep these warranties in force. Your engine manual contains service information relating to your particular engine installation. Follow the provided recommendations for trouble free service, and to preserve your warranty.

### Fiberglass / Gel Coat

The gel-coated fiberglass on your Pro-Line provides a smooth, easy to clean, and maintain surface. Regular cleaning and waxing will preserve the finish on your boat for many years to come.

Use a mild detergent and plenty of fresh clean water to swab down the exposed gel coat of your boat. Do not use harsh cleaners containing ammonia, chlorine, or abrasives. Do not use acetone or any ketone solvents. Stubborn stains may be removed with alcohol or kerosene provided they are washed off immediately and completely with a mild detergent and water.

Wax all gel coated surfaces a minimum of twice a year, more often if the boat is stored in the sun. If due to neglect, the surface takes on a dull appearance that is not restorable by waxing, hand buff with a rubbing compound such as Dupont No. 7, or power buff with Mirror Glaze No. 1, then wax afterwards.

**Caution:** when power buffing use care not to leave swirl marks or "burn" the surface. You may want to leave power buffing to a professional.

The gel coat on your Pro-Line is approximately 25-mil thick. Minor scratches and deep stains that do not penetrate the gel coat can be lightly wet sanded with 600 grit, buffed and waxed to remove.

If a deep gouge to the surface occurs that goes through the gel coat into the fiberglass, it must be repaired promptly to avoid further damage. Your dealer is best equipped to handle this repair and achieve good bonding and color match. There are many different gel coat repair kits on the market for this use. However, results obtained may not be satisfactory.

See your Pro-Line dealer for fiberglass damage deeper than 1/16 inch.

## **Marine Growth**

If marine growth is a problem, consult your dealer about an anti-fouling finish for the portions of the hull below the water line. When moored in salt or brackish water, it is recommended to scrub the bottom monthly to prevent the accumulation of marine growth.

## **Windows and Hatches**

To clean acrylic, rinse with fresh water to remove as much grime as possible. Use bare hands with plenty of water so you can feel any grit and avoid grinding it into the surface as you dislodge it. When all material that may scratch the surface is removed, use a soft clean cloth with a non-abrasive mild detergent and fresh water. Rinse and blot dry with a clean dry chamois.

Grease and adhesives may be removed with kerosene, hexane or white gas (not gas you burn in your boat, car or lawnmower ). Never use solvents such as acetone, silicone spray, benzene, carbon tetrachloride, dry cleaning fluid, lacquer or paint thinner, or any chlorinated solvent on acrylic since they may dissolve the material.

## **Stainless Steel / Aluminum**

Stainless steel is used for bow rails and deck fittings on your Pro-Line. Stainless steel and aluminum are corrosion resistant but not corrosion proof. If used in contact with sulfides, chloride salts, or rusting metals, stainless will show rust spots, discolor or corrode. The grain structure of stainless and aluminum, when modified by welding processes, has increased susceptibility to micro-corrosion (invisible to the unaided eye) and cracking. Proper care will preserve the weld strength and beauty of your stainless and aluminum:

- \* Always clean frequently with soap and water. Most glass cleaners work.
- \* Always protect with a wax, especially around welds to guard against micro-corrosion, cracking, and rust spots.
- \* Always remove rust and corrosion spots as they appear with a stainless steel or aluminum cleaner.
- \* Never use coarse abrasives like sandpaper or steel wool, as these can cause rusting.

- \* Never clean with acids or bleaches.
- \* Never permit contact with iron, carbon steel, or other metals, which could cause rust or corrosion.

## **Canvas**

Cleaning: Brush the canvas with a soft bristle brush and hose down at regular intervals to remove bird droppings and dirt particles. It may be washed with a mild solution of natural soap in lukewarm water (less than 100 deg. F). **DO NOT USE DETERGENTS.** For stubborn stains soak the canvas in a solution of 4oz. non-chlorine bleach, 4oz. natural soap and one-gallon warm water for approximately 20 minutes. Rinse with cold water. Note: If the water repellence is lost due to cleaning, apply a water repellent treatment as necessary.

The canvas may be washed in an automatic washing machine with cold water using 2 cups non-chlorine bleach and 1 cup natural soap. **DO NOT DRY IN A DRYER. LINE DRY ONLY** to prevent shrinkage. If water will not bead on dry surface, re-treat with water repellent.

Storage: Do not fold or store any canvas while wet. All canvas should be rolled or folded when dry and kept in a clean dry location.

## **Upholstery**

### **Vinyl**

An occasional cleaning with mild soap and water is all that your interior and exterior vinyl needs to remain in good condition for many years. We do not recommend the use of any special cleaners, sealers, or treatments for interior and exterior vinyl. Refer to the provided brochure.

### **Fabric**

Only use dry cleaning fluid for all fabrics.

## **Corrosion Protection**

If you moor your Pro-Line in salt water for extended periods, be sure to check the transom mounted anti-corrosion anode often for operation. Check the electrical connections (green wire) on all metallic fittings with anode for conductivity with an ohm meter. Make sure the anode surface is exposed and not caked with corrosion and scale. Renew the anode if it is more than 50% eroded. Your motor / drive unit has a sacrificial zinc anode to mitigate the effects of electrolysis which causes corrosion. Maintain this anode in accordance with the maintenance schedule in your engine manual.

## **Winterization and Storage**

- \* Remove drain plug and keep bow high to drain any water accumulation.
- \* Drain all water from water systems.
- \* Fill fuel tank and add a stabilizer to the gasoline.
- \* Prepare the engine in accordance with manufacturer's recommendations found in your engine manual.
- \* Treat metal parts with rust inhibitor.
- \* Remove the battery and protect from freezing. Trickle charge overnight once per month.
- \* Place under cover. Loosen tie down straps and unload the tires with blocks if loaded on a trailer.



### **Fitting Out After Storage:**

- \* Check entire fuel system for loose fittings, leaks, and damage.
- \* Clean battery terminals, install battery(s), and coat terminals with a deoxidizing agent.
- \* Check all through hull fittings and hoses for obstructions, water tightness, and condition.
- \* Test all lights for proper operation.
- \* Check wiring, terminal blocks, and plugs for loose connections and corrosion.
- \* Verify switch and equipment operation.
- \* Check line condition. Inspect anchor and rope.
- \* Clean out any debris from bilge and cockpit.
- \* Flush water systems.
- \* Install hull drain plug.
- \* Purge air from sea-water strainers for air conditioner and generator cooling water after placing boat in the water.
- \* Verify operation of equipment before leaving dock.

# Appendix

## Boat Identification Information

Owner: \_\_\_\_\_

Home Port: \_\_\_\_\_

Dealer: \_\_\_\_\_

Boat Name: \_\_\_\_\_

Registration No: \_\_\_\_\_

Hull No: \_\_\_\_\_

Boat model: \_\_\_\_\_ LOA: \_\_\_\_\_ Beam: \_\_\_\_\_ Draft: \_\_\_\_\_

Vertical Clearance: \_\_\_\_\_ -Hull: \_\_\_\_\_ -Deck: \_\_\_\_\_ -Interior: \_\_\_\_\_

Warranty Registration Date: \_\_\_\_\_

Fuel Capacity Gal.: \_\_\_\_\_

Ignition Key No: \_\_\_\_\_

Radio Call Letters: \_\_\_\_\_ Bat. \_\_\_\_\_

Engine Make & Model: \_\_\_\_\_ HP: \_\_\_\_\_

Engine S/N: \_\_\_\_\_

Drive S/N: \_\_\_\_\_

Prop: Dia: \_\_\_\_\_ Pitch: \_\_\_\_\_ P/N: \_\_\_\_\_

Trailer Make & Model: \_\_\_\_\_

Trailer S/N: \_\_\_\_\_ GVWR: \_\_\_\_\_

Insurance Company: \_\_\_\_\_

Agent: \_\_\_\_\_

Policy No.: \_\_\_\_\_ Phone No.: \_\_\_\_\_

# Trouble Shooting Chart

## PROBLEM:

## POSSIBLE CAUSE:

Poor speed or fuel economy:

- \*Wrong propeller for load or conditions.
- \*Trim is in too far.
- \*Load is too far forward or too heavy. Boat has taken on water.
- \*Marine growth on hull. Line or anchor is dragging.
- \*Fuel is stale or partially blocked. Engine is worn, out of tune or under powered.
- \*Improper rigging. Air intake or exhaust is partially blocked.

Engine cranks but will not start:

- \*Out of fuel. Filter is clogged. Fuel line kinked or fuel vent plugged.
- \*Water in fuel.
- \*Engine problem (electrical, fuel pump, blockage, etc.).
- \*Safety shut off switch lanyard not installed.

Engine will not crank:

- \*Drive is in gear (check operation of the throttle release).
- \*Battery is weak. Terminals corroded or loose.
- \*Engine or drive is damaged.

Engine runs but boat will not go:

- \*Throttle release is engaged.
- \*Disconnected shift linkage.
- \*Damaged prop, or lower drive unit.
- \*Entangled in lines or weeds. Anchor is down.

Prop cavitates:

- \*Trim out too far. Motor is too high.
- \*Weeds on prop.
- \*Bow heavy, damage to hull.
- \*Prop is damaged.

Excessive vibration:

- \*Propeller, engine, or drive unit damaged.
- \*Hull damaged.

Boat will not turn:

- \*Steering unit needs fluid or has trapped air. Tiller is disconnected (helm turns).
- \*Steering trunion or mechanism jammed (helm won't turn).

Electrical problems  
(see wiring diagram)

- \*Corroded wires, terminals, or plugs.
- \*Broken, loose, or short circuited wires.
- \*Circuit breaker tripped.
- \*Defective switch, device, or breaker.
- \*In-line fuse blown.
- \*Overloaded circuit.

Handling problems like:

Porpoises

Runs wet

Hard ride

Lists

Overbank in turn

Catches in turns

- \*Trimmed out too far, damaged hull (rocker), trim tabs up, stern heavy.
- \*Trimmed in too far, bow heavy, trim tabs down, overloaded for conditions.
- \*Stern heavy, trimmed out too far, going too fast for conditions.
- \*Loaded to one side, trim tabs set wrong, trimmed too far in, fuel tanks uneven.
- \*Trimmed in too far, improperly located load, throttle advanced too far.
- \*Damaged hull (hook), stern heavy, trim tabs down.

## Nautical Terms

**Abeam:** At 90 degrees to the center-line of the boat, exactly to either side of the boat.

**Abaft:** A point on a boat that is aft of another.

**Aft:** Toward the rear of the boat.

**Beam:** The widest part of the boat.

**Bilge:** The lower interior of the hull.

**Bow:** The fore part of a boat.

**Bulkhead:** A vertical partition or reinforcement in a boat usually perpendicular to the keel.

**Chine:** The juncture of the bottom and the side of the boat.

**Chock:** Deck fitting used to guide a line.

**Cleat:** Deck fitting used to secure a line to.

**Deck:** Upper structure of a boat that covers the hull.

**Draft:** The distance the lowest part (usually the keel) of the boat projects into the water.

**Fathom:** A unit of measure equal to six feet.

**Freeboard:** The height of the deck above the water line.

**Gunwale or Gunnel:** The Juncture of the side of the cockpit, deck and hull.

**Hatch:** An opening used for access to an interior space.

**Head:** Toilet or toilet area in a boat.

**Helm:** Steering wheel or console area of a boat.

**Hull:** The basic structure of a boat, that provides flotation by displacing and excluding water.

**Keel:** The major lengthwise member of the hull, the lowest portion of the hull.

**Knot:** A measure of speed in nautical miles per hour, equal to 1.15 MPH

**Lee:** The side sheltered from the wind.

**Port:** The left side of the boat when aboard the boat facing the bow.

**Scupper:** Duct to drain water from the cockpit, usually with a check valve to prevent sea water intrusion.

**Sheer:** The juncture of the deck and the hull, generally covered by the rub rail.

**Starboard:** The right side of the boat when aboard the boat facing the bow.

**Stern:** The back of the boat.

**Stern Drive:** Inboard /outboard I/O drive unit.

**Stringer:** Lengthwise reinforcing members of the hull.

**Transom:** Vertical part of the stern.

**Wake:** Waves produced by a boat moving through the water.

**Windward:** Toward the direction from which the wind is blowing.

## Specifications: *31 Walk*

<b>Length Overall</b> .....	<b>32'6" (9.9 m)</b>
<b>Beam</b> .....	<b>10'10" (3.3 m)</b>
<b>Draft (Hull)</b> .....	<b>22" (.558 m)</b>
<b>Fuel Capacity – O/B</b> .....	<b>300 Gal. (1135.6 l)</b>
<b>Weight (Hull – approx.)</b> .....	<b>8,000 Lbs. (3628.7 k)</b>
<b>Maximum H.P. – O/B</b> .....	<b>500 H.P. (507.0 kw)</b>
<b>Bridge Clearance</b> .....	<b>7'1" (2.2 m)</b>
<b>Bridge Clearance w/ Top</b> .....	<b>9'6" (2.9 m)</b>
<b>Baitwell Capacity</b> .....	<b>45 Gal. (170.34 l)</b>
<b>Sleeping Capacity</b> .....	<b>4</b>

Specifications are approximate and subject to change without notice.

